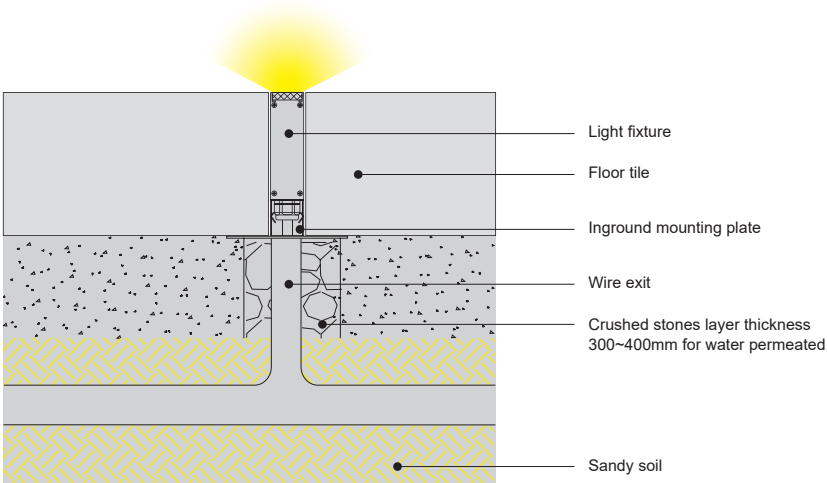
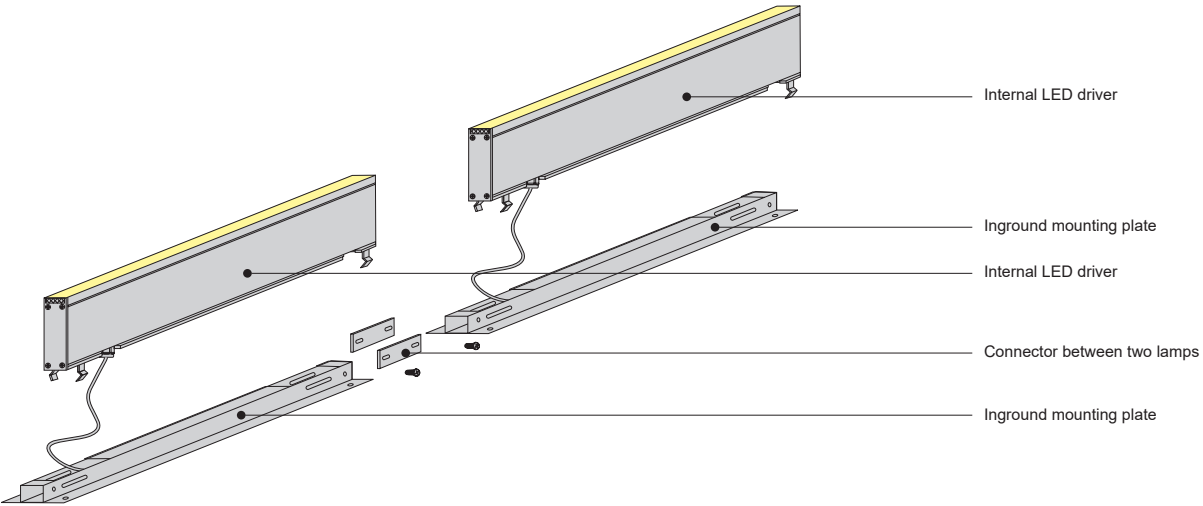
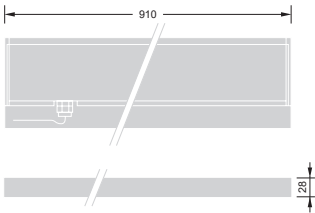


Edge Inground Linear



Edge Inground Linear



	CRI 80	Ta 50°C	V 240	IP 67		
--	-----------	------------	----------	----------	--	--

Item Code	550310	550410
Wattage	10W	10W
Beam Angle	120°	120°
Colour Temp.	3000K	4000K
Dim.(mm)	28 x 910	28 x 910

* Specify for other colour temperatures.

Materials/Finish:

Extruded aluminium and die cast aluminium housing with high corrosion resistance. 6mm thick white silk screen tempered glass.

Features:

- Linear recessed inground light with 10W LED to have soft light effect.
- Protection class IP67 with silicone seal.
- Extruded aluminium and die cast aluminium housing with high corrosion resistance.
- High purity aluminium heat conduction, fire resistant silicone gasket, trimless connection, integral driver.
- Static load 500kg.
- Trimless connector.

- Cool touch surface temperature ≤40°C maximum.
- IP67 PG-9 PVC cable gland.
- 6mm thick white silk screen tempered glass.
- 120° beam angle for the wider soft light effect.
- Available colours 3000K, 4000K, 5000K and 6000K optional.
- Also available in blue, green, red and amber colour.
- No IR, No Mercury.
- 50,000 hours long life, low maintenance.

Applications:

Creating dynamic Floor Lighting, mark edge light for zoning Exterior Wall Surfaces, Pathways and Floor Edge Markings.